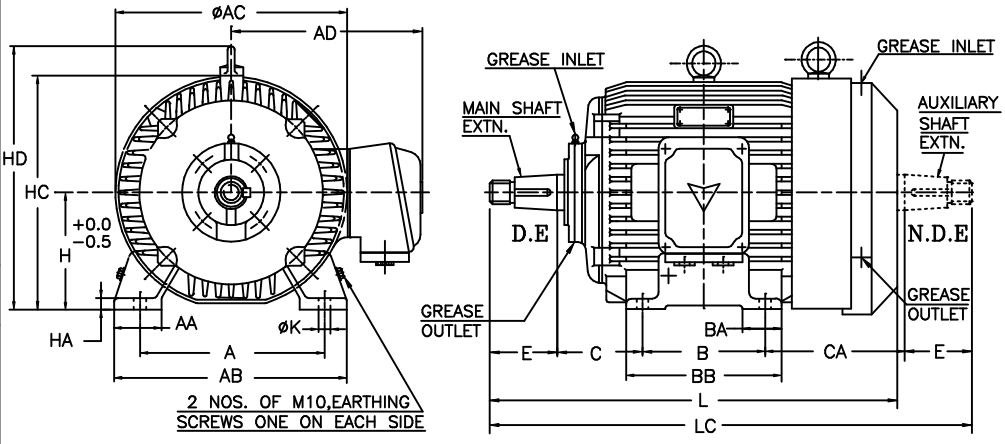


UNMENTIONED TOLERANCES

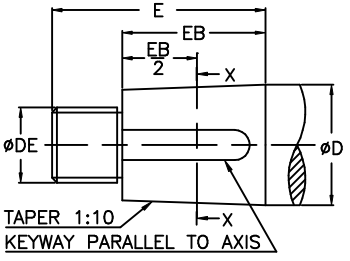
LINEAR	ABOVE 0	6	315	1000
DIMENSIONS UP TO	6	315	1000	2000
(MACHINED) TOL.			± 0.2	± 0.5
ANGLES			$\pm 1/20$	

ALL INFORMATION CONTAINED IN THIS DOCUMENT IS CONFIDENTIAL AND THE PROPERTY OF KIRLOSKAR ELECTRIC CO.LTD. REPRODUCING OF THESE IN ANY FORM IS TO BE DONE WITH THE SPECIFIC PERMISSION OF THE COMPANY.

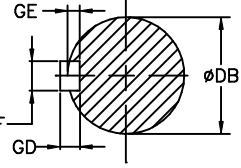
DIMENSIONAL DRAWING



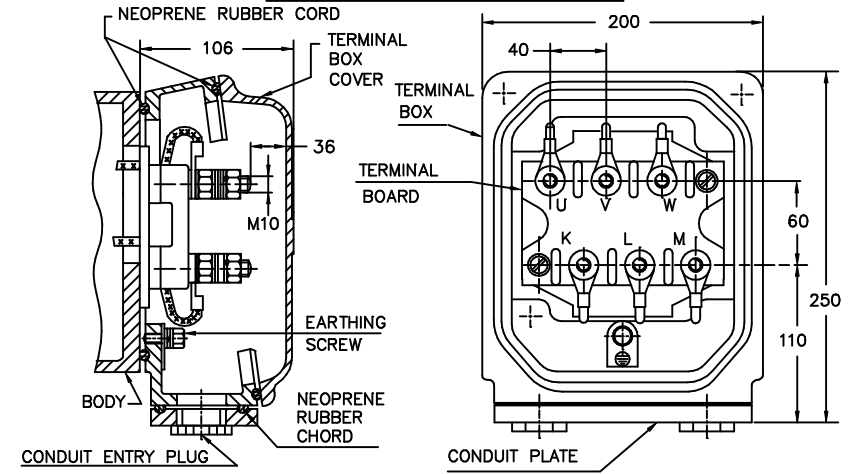
- NOTE :
1. DIMENSIONS ARE AS PER IS:1231
 2. MAIN & AUXILIARY SHAFT EXTENSIONS ARE IDENTICAL.
 3. DEGREE OF PROTECTION: IP:55.
 4. TOLERANCE ON 'D' : k6 UPTO & INCLUDING $\phi 48$
: m6 INCLUDING & ABOVE $\phi 55$
 5. TERMINAL BOX CAN BE ROTATABLE THROUGH 360° IN STEPS OF 90°.
 6. KEY & KEYWAY ARE AS PER IS:2048 & TOLERANCE ON KEYWAY IS P9.



SECTION "XX"



TERMINAL BOX ARRANGEMENT



NOTE: MAX. CABLE SIZE : MAIN-2x3.5Cx70sqmm.

ITEM/TAG No.			
RATING			
CABLE SIZE			
O/A NO.:		CUSTOMER :	
PROJECT :		CONSULTANT :	JOB No. :

SL. NO.	FRAME	POLES	A	AA	AB	ϕAC	AD	B	BA	BB	C	CA	D	DB	DE	E	EB	F	GD	GE	H	HA	HC	HD	ϕK	L	LC
1	ID180L MkII	4,6 & 8	279	64	330	380	290	279	64	330	121	360	48	43.90	M30x2	110	82	12	8	5.0	180	19	361	401	15	867	980
2	ID200L MkII	4,6 & 8	318	90	390	434	316	305	80	355	133	400	55	50.90	M36x3	110	82	14	9	5.5	200	25	408	482	19	945	1058
3	ID225M MkII	4,6 & 8	356	76	444	518	354	311	70	356	149	450	60	54.75	M42x3	140	105	16	10	6.0	225	25	472	543	19	1047	1190

Z122658300JR

SURFACE ROUGHNESS (MAX) AS PER KSD-02-027

Re μm	50	12.5	25	1.6	3.2	6.3	0.2	0.4	0.6	0.8	0.025	0.05	0.1
OLD	▽	▽	▽	▽	▽	▽	▽	▽	▽	▽	▽	▽	▽
NEW	▽	▽	▽	▽	▽	▽	▽	▽	▽	▽	▽	▽	▽

CHAM: 1x45°
UC: UNMENTIONED
RAD: UNMENTIONED

REV.	ZONE	DCN.No.	BRIEF RECORD	SIGNATURE	DATE	PRINTS ISSUED TO
3	--	0122209	REDRAWN IN A NEW FORMAT.	Sd/-	22.01.09	Q.A
2	A3,7	1552299	FRAME DESIGNATION WAS COW CHANGED TO ID.	VSI	09.06.99	MMD
1	A-7	0342299	FRAME DESIGNATION WAS LD 180,200,225 IN TABLE.	VSI	09.02.99	PRODUCTION
8						

THIS SUPERSEDES FROM dt AS PER DCN No.....

THIS SUPERSEDED BY FROM dt AS PER DCN No.....

MATERIAL SPECIFICATION	RAW MATERIAL SIZE	WEIGHT kg
		RM FIN.

CASTING/FAB REF. --- No.P.S.: --- NTS

USED ON ID MkII SERIES. SIDE T.BOX WITH TAPER EXTN.

REDRAWN	CHECKED	STANDARD	APPROVED
Sd/-	Sd/-	Sd/-	Sd/-
dt:22/01/2009	dt:22/01/2009	dt:22/01/2009	dt:22/01/2009

TITLE: DIMENSION SHEET

32265898R3

SHEET ONE OF ONE

KIRLOSKAR ELECTRIC COMPANY LTD. HUBLI-580030 (INDIA)